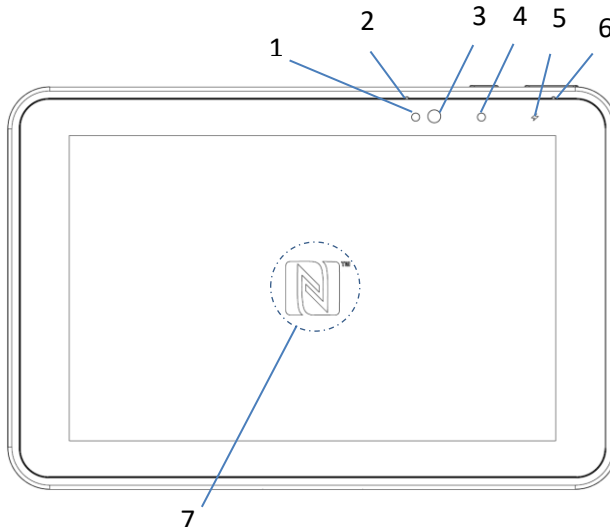


oona 8 Quick Start Guide

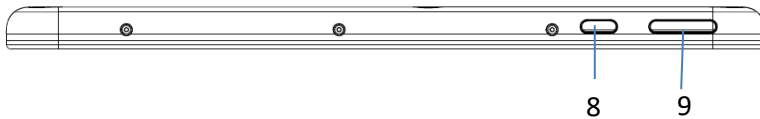
Features, Buttons & Interfaces

Front



- | | |
|----------|---|
| 1 | Ambient Light Sensor
Recognizes the ambient light and adjusts the display brightness if enabled in the operating system |
| 2 | Front microphone outlet |
| 3 | Front camera
2MP camera for video conferencing |
| 4 | Camera Indicator LED
Lights up if camera is activated and during device boot and shutdown |
| 5 | Charging indicator LED
OFF not connected to charger
ORANGE charging
GREEN connected and fully charged
RED charge fault |
| 6 | Second microphone outlet |
| 7 | NFC antenna position
Can be used to read NFC & RFID tags over the display |

Top side



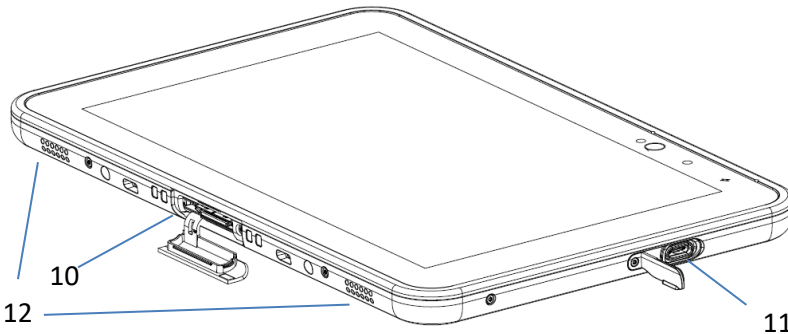
8 On / Off Button

Push it once to start the tablet; push it again to enable the sleep mode. Push and hold it to shut down the device.

9 Volume key

Push the left side to reduce the volume, use the right side to increase the volume

Right and Bottom side

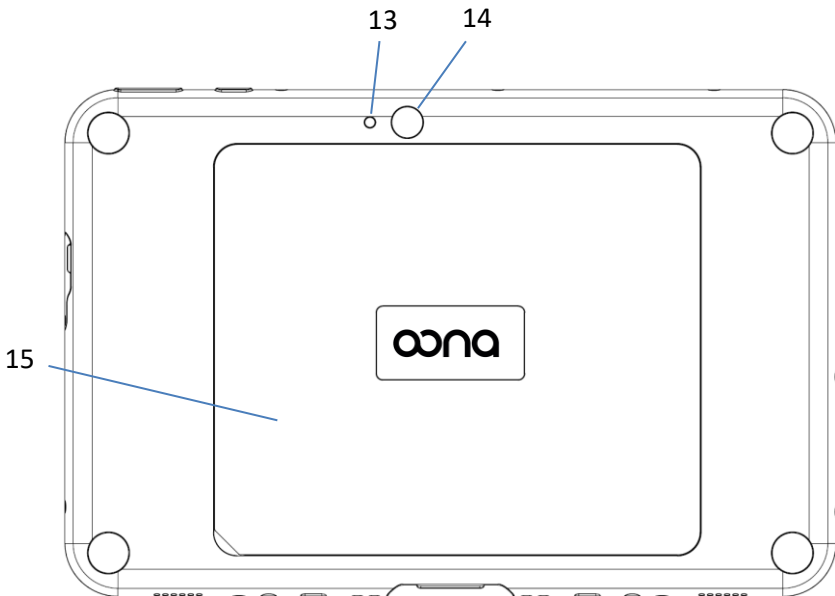


10 Docking connector

11 USB-C for charging, data, audio and video

12 Stereo speakers

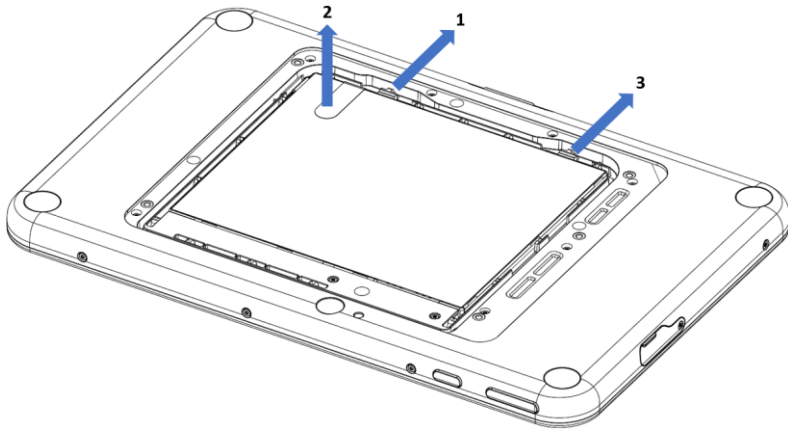
Rear view



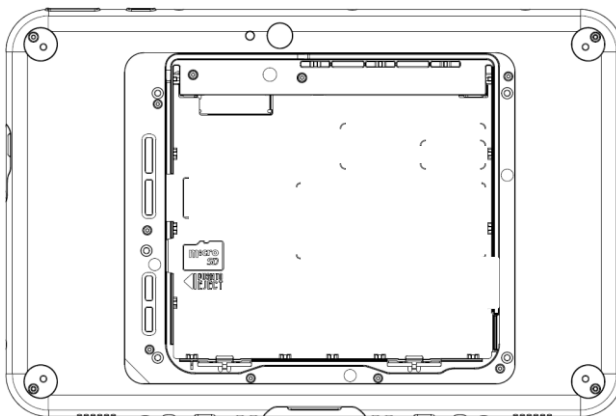
- | | |
|-----------|--|
| 13 | Camera flash LED |
| 14 | Rear camera
8MP camera for high resolution images & video |
| 15 | Battery lid (with custom logo sticker) |

Replacing Battery / Adding memory card

To replace the battery, take off the battery lid by pulling on the lid carefully. Pull on the battery holder hook (1) to the bottom of the device. Pull the battery up (2) using pull tab and pull on the second battery holder hook (3).



The memory card can be inserted on the left, please ensure you insert it in the right direction as shown on the picture.



When putting the battery back in place, please make sure both hooks have clicked and are safely secured. Ensure to put the battery lid in place securely.

Using the Tablet for the first time

1. Connect power supply for the first time and make sure battery is fully charged before disconnecting. We recommend a charging dock or docking station to charge the tablet. If you use a USB-C wall charger, please ensure it is LPS/PS2 compliant. This product uses USB-C power profiles 5V/3A and 9V/2A. USB-C wall charger shall follow USB-C standard and has at least 18W output power.
2. To turn on the tablet, press the power button for at least 1 second.
3. Follow the instructions in the operating system to complete the setup.

Troubleshooting

In case devices freezes and you need to do a hard reset, press and hold the power button for approx. 14 seconds. Device will be turned off now.

Connecting USB3.0 devices while being connected to a WLAN network requires it to be a 5GHz connection to maintain it. 2.4GHz networks will be disconnected on the OONA side while USB3.0 devices are in use.

Important Product and Safety information

- Do not drop, bend or twist your tablet. This can break tablet display glass, internal circuit boards or mechanics. If the glass breaks, do not touch the glass parts of the device or attempt to remove the broken glass from the device. Stop using the device until the glass is replaced by qualified service personnel.
- Do not try to disassembly your tablet. This may damage the device.
- Operate your device in a place where temperature is between -20°C and +50°C. Operation between -20°C to -10°C will result in limited performance.
- Charge your device with the recommended charger in a place where temperature is between 0°C and +40°C. When not charging, the device can operate in temperatures up to +50°C. Please note that charging speed is reduced at higher temperatures.
- Store your device in a place where temperature is between -20°C and +60°C. Please note that battery storage requires special handling, so please check the comments about battery safety.
- This product is equipped with USB-C connector, intended to be supplied by certified LPS/PS2 compliant power supply capable of providing 5V-9V according to USB specification.
- For charging the socket-outlet shall be installed near the equipment and shall be easily accessible.
- Protect your device from water and moisture intake. Keep connector doors closed when not in use to prevent water and moisture intake.
- Listen to a headset at a moderate level, and do not place the device loudspeaker outlets near your ear when the loudspeakers are in use.
- Use only soft, clean and dry lint-free cloth to clean your device.
- Keep the unit and accessories away from small children.
- Switch off your device before boarding to an aircraft.
- Switch off your device in any area with a potentially explosive atmosphere.
- Your device meets guidelines for exposure to radio waves (SAR, Specific Absorption Rate) when kept in a close distance to your body.
- **Power rating for the device: 3.8V $\overline{\text{---}}$ 3.5A**
- **Use only LPS/PS2 compliant wall charger that has at least 18W and follows USB-C standard.**
- Do not disconnect charger by pulling the cord.
- Do not use damaged power cords or plugs.
- **Save energy.** You can save energy by doing following.
 - Close unused applications and data connections.

- Decrease screen brightness and sound volume.
- Deactivate unnecessary sounds like touch panel sound.
- Disconnect your charger from mains outlet when charger is not needed.
- Do not keep unnecessary accessories connected in your device.
- **Recycle.** Return your used electronic units to dedicated collection points. Please note that your tablet has a battery, so it is not allowed to be disposed to normal household waste and battery requires separate recycling.
- **Replaceable battery safety**
 - Batteries have life cycles. If the time that the battery powers equipment becomes much shorter than usual, the battery life might be at the end. Replace the battery when a significant loss of run time is detected.
 - When batteries are stored over six (6) months, some irreversible deterioration in overall battery quality may occur.
 - Store batteries at half of full charge in a dry, cool place, removed from the equipment to prevent loss of capacity, rusting of metallic parts and electrolyte leakage. Do NOT store it at full charge, especially not in high temperature environments.
 - Do not store the battery for more than 1 month in environments with temperatures between 35°C to 60°C (≤90%RH).
 - Keep the device away from heat (battery temperature not to exceed 60°C).
 - Stop using the tablet if abnormal heat, order, discoloration, deformation, or abnormal condition is detected during use, charge, or storage.
 - Do not throw battery into fire, it may be exploded.
 - Do not soak the battery with liquid like water, tea, coffee etc.
 - Do not hit, bend, deform or drop the battery.
 - Do not pierce battery with a sharp object such as a needle, etc.
 - Keep battery away from children.
 - The battery should not have liquid from electrolyte flowing, but in case the electrolyte come into contact with eyes, don't rub your eyes. Wash your eyes well with clean water and go to see a doctor immediately. In case the electrolyte come into contact with your skin, wash it well with clean water.
 - Do not externally short-circuit the battery. If externally short-circuited, the battery may be heated, ignited or broken.
 - There is a risk of explosion if you replace the battery with an incorrect type. Only use the correct battery type for this device.
 - Dispose of battery needs to be done according to instructions above.

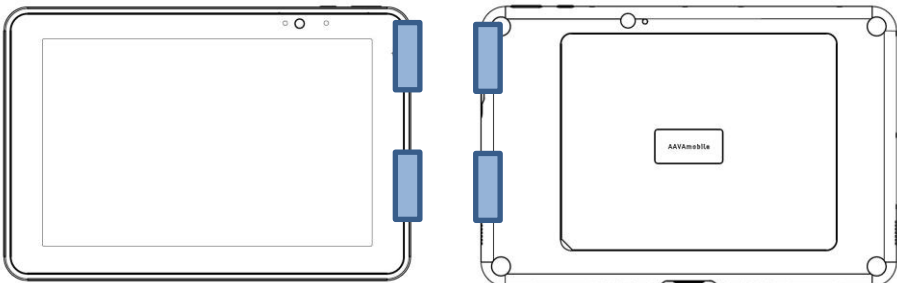
Warning Statements

To prevent possible hearing damage, do not listen at high volume levels for long periods.



Antenna positions

Your device meets guidelines for exposure to radio waves (SAR, Specific Absorption Rate) when kept in a close distance to your body. Antenna areas are highlighted in below pictures.



Radio Waves Specifications

The device has the following radio waves specifications:

Radio Waves Specifications		
Radio	Frequency	Max. Output Power
NFC	13.56MHz	18 ± 2dBuA/m @10m
Bluetooth	2.4-24835GHz	8 ± 2dBm(EIRP)
2.4G Wi-Fi	2.4-2.4835GHz	18 ± 2dBm(EIRP)
5G Wi-Fi	5.15-5.35GHz	21 ± 2dBm(EIRP)
	5.47-5.725GHz	21 ± 2dBm(EIRP)
	5.725-5.85GHz	12 ± 2dBm(EIRP)

Conformity Declarations

Depending on the actual model, following conformity / compliance statements are valid. Please check the type label of your device for further information.

EU Declaration of Conformity

Hereby, Aava Mobile declares that the radio equipment OONA 8 is in compliance with Directive 2011/65/EU and 1999/5/EC or 2014/53/EU (2014/53/EU supersedes 1999/5/EC from 13th June 2017). The full text of the EU Declaration of Conformity is available at the following internet address: <http://www.oonasolution.com/doc>

CE Marking and European Economic Area (EEA)

The use of RLAN's, for use throughout the EEA, have the following restrictions:

- Maximum radiated transmit power of 100 mW EIRP in the frequency range 2.400 - 2.4835 GHz
- 5.13 - 5.35 GHz is restricted to indoor use only

Bluetooth® Wireless Technology for use through the EEA has the following restrictions:

- Maximum radiated transmit power of 100mW EIRP in the frequency range 2.400 -2.4835 GHz

Wireless Devices Country Approvals

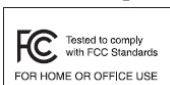
Regulatory markings, subject to certification, are applied to the device signifying the radio(s) are approved for use in the following countries: United States, Canada, and Europe¹. Please refer to the Aava Mobile Declaration of Conformity (DoC) for details of other country markings. This is available at <http://www.oonasolution.com/doc>.

¹ Europe includes: Austria, Belgium, Bulgaria, Croatia, Czech Republic, Cyprus, Denmark, Estonia, Finland, France, Germany, Greece, Hungary, Iceland, Ireland, Italy, Latvia, Liechtenstein, Lithuania, Luxembourg, Malta, Netherlands, Norway, Poland, Portugal, Romania, Slovak Republic, Slovenia, Spain, Sweden, Switzerland and the UK(NI).

The device supports WLAN 5150-5350 MHz with indoor usage restrictions.



FCC Compliance Statement



Note: This equipment has been tested and found to comply with the limits for a Class B digital device, pursuant to Part 15 of the FCC rules. These limits are designed to provide reasonable protection against harmful interference in a residential installation.

This equipment generates, uses and can radiate radio frequency energy and, if not installed and used in accordance with the instructions, may cause harmful interference to radio communications. However there is no guarantee that interference will not occur in a particular installation. If this

equipment does cause harmful interference to radio or television reception, which can be determined by turning the equipment off and on, the user is encouraged to try to correct the interference by one or more of the following measures:

- Reorient or relocate the receiving antenna
- Increase the separation between the equipment and receiver
- Connect the equipment into an outlet on a circuit different from that to which the receiver is connected
- Consult the dealer or an experienced radio/TV technician for help.

Radio Transmitters (Part 15)

This device complies with Part 15 of the FCC Rules. Operation is subject to the following two conditions: (1) this device may not cause harmful interference, and (2) this device must accept any interference received, including interference that may cause undesired operation.

Changes or modifications not expressly approved by the party responsible for compliance could void the user's authority to operate the equipment.

FCC type approval ID: 2ABVH-INARI8C1

RF Exposure Information (SAR)

This model device meets the government's requirements for exposure to radio waves. This device is designed and manufactured not to exceed the emission limits for exposure to radio frequency (RF) energy set by the Federal Communications Commission of the U. S. Government. The exposure standard for wireless devices employs a unit of measurement known as the Specific Absorption Rate, or SAR. The regulatory SAR limit set by the FCC is 1.6 W/kg, the maximum measured single transmission SAR is 1.091 W/kg. Tests for SAR are conducted using standard operating positions accepted by the FCC with the device transmitting at its highest certified level, the actual SAR level of the device while operating can be well below the maximum value. This is because the device is designed to operate at multiple power levels so as to use only the power required to reach the network. In general, the closer you are to a wireless base station antenna, the lower the power output.

While there may be differences between the SAR levels of various devices and at various positions, they all meet the government requirement.

The FCC has granted an Equipment Authorization for this model device with all reported SAR levels evaluated as in compliance with the FCC RF exposure guidelines. SAR information on this model device is on file with the FCC and can be found under the Display Grant section of <http://www.fcc.gov/oet/fccid> after searching on the below:

FCC ID: 2ABVH-INARI8C1

This device is compliant with SAR for general population / uncontrolled exposure limits in SNAI / IEEE C95.1-1999 and had been tested in accordance with the measurement methods and procedures specified in the Office of Engineering and Technology (OET) Laboratory Division Knowledge Database (KDB), 447498 D03.

Specific Absorption Rate (SAR): 1.091 W/kg

This product has been tested and found to comply with the following standards:

- For the worst case positions, the OONA8 is in compliance with the IC RSS 102 Issue 5 (RSS 102) and Federal Communications Commission (FCC) Guidelines (KDB) 447498 D03 for uncontrolled exposure. SAR assessment in body worn was conducted with a distance of 0 mm between the housing of the handheld and the flat phantom.
- EM 62311:2008: Assessment of electronic and electrical equipment related to human exposure restrictions for electromagnetic fields (0 Hz – 300 GHz).

Radio Frequency Interference Requirements - Canada

CAN ICES-3 (B)/NMB-3(B)

Radio Transmitters

This device complies with Industry Canada's licence-exempt RSSs. Operation is subject to the following two conditions: (1) This device may not cause interference; and (2) This device must accept any interference, including interference that may cause undesired operation of the device.

Le présent appareil est conforme aux CNR d'Industrie Canada applicables aux appareils radio exempts de licence.

L'exploitation est autorisée aux deux conditions suivantes: (1) l'appareil ne doit pas produire de brouillage, et (2) l'utilisateur de l'appareil doit accepter tout brouillage radio électrique subi même si le brouillage est susceptible d'en compromettre le fonctionnement.

For RLAN Devices:

The use of 5 GHz WLAN's, for use in Canada, have the following restrictions:

- Restricted Band 5.60 - 5.65 GHz

Pour les équipements WLAN:

L'utilisation de la bande WLAN 5 GHz au Canada présente les limitations suivantes :

- Bande restreinte 5.60 - 5.65 GHz

Label Marking: The Term 'IC:' before the radio certification only signifies that Industry Canada technical specifications were met.

Étiquette de marquage: Le terme "IC" avant la certification radio signifie que le produit est compatible avec le spécification Industrie Canada.

IC type approval ID: 11875A-OONA8C1

Radiation Exposure Statement (SAR)

Warning: This equipment complies with SAR for general population / uncontrolled exposure limits in SNAI / IEEE C.951, Federal Communication Commission Office of Engineering and Technology (KDB) 447498 D03, Canada RSS-102, and CENELEC limits for exposure to radio frequency (RF) radiation.

Specific Absorption Rate (SAR) 1.091 W/kg

Énoncé sur l'exposition aux radiations (SAR)

Avertissement : Cet équipement est conforme aux limites d'exposition au rayonnement à fréquence radioélectrique (RF) établies par la Commission internationale de protection contre les rayonnements non ionisants (ICNIRP), le Federal Communications Commission Office of Engineering and Technology (KDB), 447498 D03, la norme CNR-102 d'Industrie Canada et le règlement CENELEC.

Débit d'absorption spécifique (DAS) : 1.091 W/kg

802.11a Radio Precaution Statement

- The device for operation in the band 5150-5250 MHz is only for indoor use to reduce the potential for harmful interference to co-channel mobile satellite systems;

- Users should also be advised that high-power radars are allocated as primary users (i.e. priority users) of the bands 5250-5350 MHz and 5650-5850 MHz and that these radars could cause interference and/or damage to LE-LAN devices.

- *Les dispositifs fonctionnant dans la bande 5 150-5 250 MHz sont réservés uniquement pour une utilisation à l'intérieur afin de réduire les risques de brouillage préjudiciable aux systèmes de satellites mobiles utilisant les mêmes canaux;*

- *De plus, les utilisateurs devraient aussi être avisés que les utilisateurs de radars de haute puissance sont désignés utilisateurs principaux (c.-à-d., qu'ils ont la priorité) pour les bandes 5 250-5 350 MHz et 5 650-5 850 MHz et que ces radars pourraient causer du brouillage et/ou des dommages aux dispositifs LAN-EL.*

802.11 Radio Precaution statement

Users are responsible for configuring the channels of operation that comply with their country regulatory standards.

A Wireless Network Administrator should review the operating restrictions detailed within the Access Point installation manual.

Radio Frequency Interference Requirements - Brazil

The device meets the SAR limit of 2.0 W/kg established by Anatel (National Telecommunications Agency in Brazil). The product should be kept at least 1.5 cm from the body to ensure compliance with the radio frequency exposure limits.



Waste Electrical and Electronic Equipment (WEEE)

English: For EU Customers: All products at the end of their life must be returned to Aava Mobile for recycling. For information on how to return product, please go to: <https://www.pepperl-fuchs.com/global/en/42217.htm?>

Français: Clients de l'Union Européenne: Tous les produits en fin de cycle de vie doivent être retournés à Aava Mobile pour recyclage. Pour de plus amples informations sur le retour de produits, consultez:

<https://www.pepperl-fuchs.com/global/en/42217.htm?>

Español: Para clientes en la Unión Europea: todos los productos deberán entregarse a Aava Mobile al final de su ciclo de vida para que sean reciclados. Si desea más información sobre cómo devolver un producto, visite:

<https://www.pepperl-fuchs.com/global/en/42217.htm?>

Български: За клиенти от ЕС: След края на полезния им живот всички продукти трябва да се връщат на Aava Mobile за рециклиране. За информация относно връщането на продукти, моля отидете на адрес:

<https://www.pepperl-fuchs.com/global/en/42217.htm?>

Deutsch: Für Kunden innerhalb der EU: Alle Produkte müssen am Ende ihrer Lebensdauer zum Recycling an Aava Mobile zurückgesandt werden. Informationen zur Rücksendung von Produkten finden Sie unter

<https://www.pepperl-fuchs.com/global/en/42217.htm?>

Italiano: per i clienti dell'UE: tutti i prodotti che sono giunti al termine del rispettivo ciclo di vita devono essere restituiti a Aava Mobile al fine di consentirne il riciclaggio. Per informazioni sulle modalità di restituzione, visitare il seguente sito Web:

<https://www.pepperl-fuchs.com/global/en/42217.htm?>

Português: Para clientes da UE: todos os produtos no fim de vida devem ser devolvidos à Aava Mobile para reciclagem.

Para obter informações sobre como devolver o produto, visite: <https://www.pepperl-fuchs.com/global/en/42217.htm?>

Nederlands: Voor klanten in de EU: alle producten dienen aan het einde van hun levensduur naar Aava Mobile te worden teruggezonden voor recycling. Raadpleeg <https://www.pepperl-fuchs.com/global/en/42217.htm?> voor meer informatie over het terugzenden

van producten.

Polski: Klienci z obszaru Unii Europejskiej: Produkty wycofane z eksploatacji należy zwrócić do firmy Aava Mobile w celu ich utylizacji. Informacje na temat zwrotu produktów znajdują się na stronie internetowej

<https://www.pepperl-fuchs.com/global/en/42217.htm?>

Čeština: Pro zákazníky z EU: Všechny produkty je nutné po skončení jejich životnosti vrátit společnosti Aava Mobile k recyklaci. Informace o způsobu vrácení produktu najdete na webové stránce:

<https://www.pepperl-fuchs.com/global/en/42217.htm?>

Eesti: EL klientidele: kõik tooted tuleb nende eluea lõppedes tagastada taaskasutamise eesmärgil Aava Mobile'ile.

Lisainformatsiooni saamiseks toote tagastamise kohta külastage palun aadressi:

<https://www.pepperl-fuchs.com/global/en/42217.htm?>

Magyar: Az EU-ban vásárlóknak: Minden tönkrement termékét a Aava Mobile vállalathoz kell eljuttatni újrahasznosítás céljából. A termék visszajuttatásának módjával kapcsolatos tudnivalókrét látogasson el a

<https://www.pepperl-fuchs.com/global/en/42217.htm?> weboldalra.

Svenska: För kunder inom EU: Alla produkter som uppnått sin livslängd måste returneras till Aava Mobile för återvinning.

Information om hur du returnerar produkten finns på <https://www.pepperl-fuchs.com/global/en/42217.htm?>

Suomi: Asiakkait Euroopan unionin alueella: Kaikki tuotteet on palautettava kierrätettäväksi Aava Mobile-yhtiöön, kun tuotetta ei enää käytetä. Lisätietoja tuotteen palauttamisesta on osoitteessa

<https://www.pepperl-fuchs.com/global/en/42217.htm?>

Dansk: Til kunder i EU: Alle produkter skal returneres til Aava Mobile til recirkulering, når de er udtjent. Læs oplysningerne om returnering af produkter på: <https://www.pepperl-fuchs.com/global/en/42217.htm?>

Ελληνικά: Για πελάτες στην Ε.Ε.: Όλα τα προϊόντα, στο τέλος της διάρκειας ζωής τους, πρέπει να επιστρέφονται στην Aava Mobile για ανακύκλωση. Για περισσότερες πληροφορίες σχετικά με την επιστροφή ενός προϊόντος, επικοινωνήστε

τη διεύθυνση <https://www.pepperl-fuchs.com/global/en/42217.htm?> στο Διαδίκτυο.

Malti: Għal klijenti fl-UE: il-prodotti kollha li jkun u waslu fl-aħħar tal-hajja ta' l-użu tagħhom, iridu jiġu rritornati għand Aava Mobile għar-riċiklaġġ. Għal aktar taġġir dwar kif għandek tirritorna l-prodott, jekk jogħġbok żur:

<https://www.pepperl-fuchs.com/global/en/42217.htm?>

Românesc: Pentru clienții din UE: Toate produsele, la sfârșitul duratei lor de funcționare, trebuie returnate la Aava Mobile pentru reciclare. Pentru informații despre returnarea produsului, accesați:

<https://www.pepperl-fuchs.com/global/en/42217.htm?>

Slovenski: Za kupce v EU: vsi izdelki se morajo po poteku življenjske dobe vrtniti podjetju Aava Mobile za reciklažo. Za informacije o vračilu izdelka obiščite: <https://www.pepperl-fuchs.com/global/en/42217.htm?>

Slovenčina: Pre zákazníkov z krajín EU: Všetky výrobky musia byť po uplynutí doby ich životnosti vrátené spoločnosti Aava Mobile na recykláciu. Bližšie informácie o vrátení výrobkov nájdete na:

<https://www.pepperl-fuchs.com/global/en/42217.htm?>

Lietuvių: ES vartotojams: visi gaminiai, pasibaigus jų eksploatacijos laikui, turi būti gražinti utilizuoti į kompaniją

„Aava Mobile“. Daugiau informacijos, kaip gražinti gaminį, rasite: <https://www.pepperl-fuchs.com/global/en/42217.htm?>

Latviešu: ES klientiem: visi produkti pēc to kalpošanas mūža beigām ir jānogādā atpakaļ Aava Mobile otrreizējai pārstrādei. Lai iegūtu informāciju par produktu nogādāšanu Aava Mobile, lūdzu, skatiet:

<https://www.pepperl-fuchs.com/global/en/42217.htm?>

Aava Mobile Oy
Nahkatehtaankatu 2
FI-90130 Oulu, Finland
Tel.: +358 8 373 800

Aava Mobile GmbH
Harksheider Str. 3
22399 Hamburg, Germany
Tel.: +49 40 6979 5939

www.oona-solution.com

© 2023 Aava Mobile Oy, All rights reserved

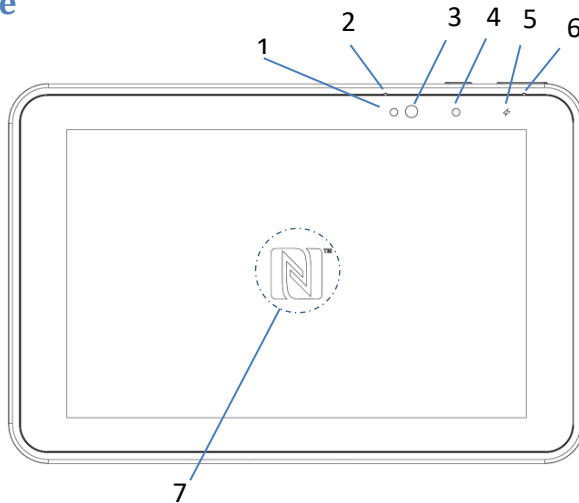


IN02040085.2

Kurzanleitung oona 8

Funktionen, Tasten und Schnittstellen

Vorderseite



- 1** Umgebungslichtsensor
erkennt das Umgebungslicht und passt die Helligkeit des Displays an, sobald diese Funktion im Betriebssystem aktiviert ist
- 2** Ausgang Frontmikrofon
- 3** Frontkamera
2MP Kamera für Videokonferenzen
- 4** LED für Kameraanzeige
Leuchtet auf, wenn die Kamera aktiviert ist und während des Startens/Herunterfahrens des Geräts
- 5** LED für Ladeanzeige

AUS	nicht am Ladegerät angeschlossen
ORANGE	wird geladen
GRÜN	angeschlossen und vollständig geladen
ROT	Fehler beim Laden
- 6** Zweiter Mikrofonausgang
- 7** NFC-Antennenposition
Kann verwendet werden, um NFC- und RFID-Tags über das Display zu lesen

Oberseite



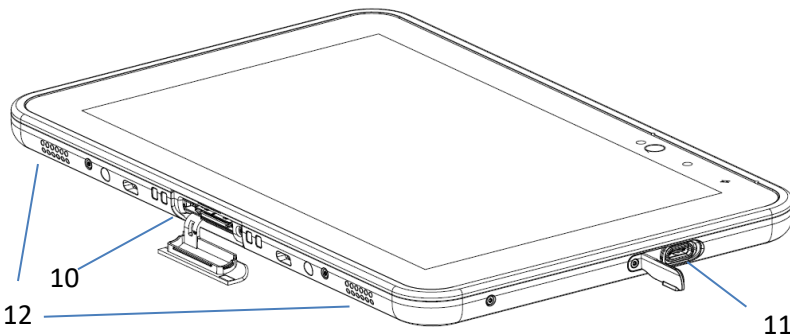
8 Ein-/Aus-Taste

Drücken Sie die Taste einmal, um das Tablet einzuschalten; drücken Sie die Taste ein weiteres Mal, um in den Standby-Modus zu schalten. Drücken Sie die Taste und halten Sie sie gedrückt, um das Gerät auszuschalten.

9 Lautstärkeregl

Drücken Sie die linke Seite zum Reduzieren der Lautstärke und die rechte Seite zum Erhöhen der Lautstärke

Rechte und untere Seite



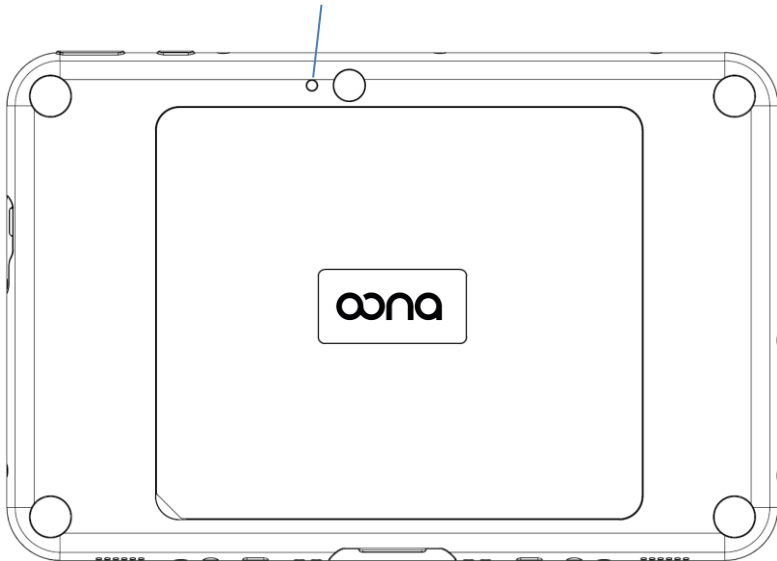
10 Docking-Anschluss

11 USB-C zum Laden, Daten, Audio und Video

12 Stereo-Lautsprecher

Rückansicht

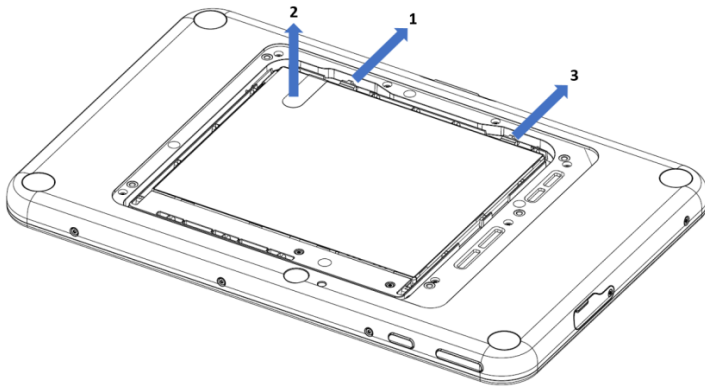
13 14



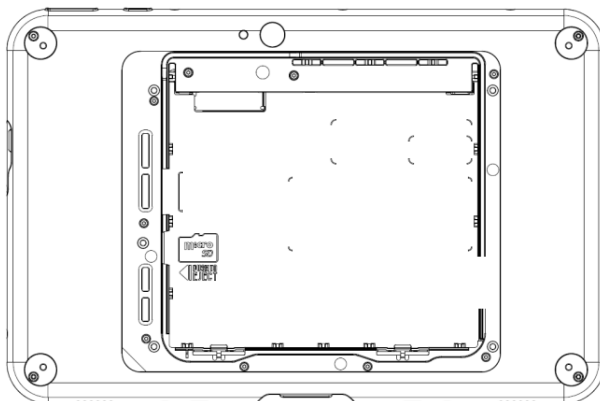
-
- 13** LED für Kamerablitz
 - 14** Rückseitenkamera
8MP Kamera für hochauflösende Bilder und Videos
 - 15** Batteriedeckel (mit individuellem Logoaufkleber)
-

Batterie austauschen / Speicherkarte hinzufügen

Um die Batterie auszutauschen, nehmen Sie den Batteriedeckel ab, indem Sie vorsichtig am Deckel ziehen. Drücken Sie den Verriegelungshaken (1) zur Unterseite des Geräts. Ziehen Sie die Batterie mit der Zuglasche nach oben heraus (2) und lösen Sie den zweiten Verriegelungshaken (3).



Die Speicherkarte kann auf der linken Seite eingesetzt werden. Bitte stellen Sie sicher, dass Sie sie richtig herum einsetzen, wie auf dem Bild dargestellt.



Achten Sie beim Wiedereinsetzen der Batterie darauf, dass beide Haken einrasten und sicher befestigt sind. Stellen Sie sicher, dass der Batteriedeckel fest sitzt.

Erstinbetriebnahme des Geräts

1. Schließen Sie zunächst das Netzteil an und vergewissern Sie sich, dass die Batterie vollständig geladen ist, bevor Sie das Gerät wieder vom Netzteil nehmen. Wir empfehlen eine Ladestation oder Dockingstation zum Aufladen des Tablets. Wenn Sie ein USB-C-Ladegerät verwenden, stellen Sie bitte sicher, dass es LPS/PS2-kompatibel ist. Dieses Produkt verwendet eine USB-C-Versorgungsspannung von 5V/3A und 9V/2A. Das USB-C-Ladegerät muss dem USB-C-Standard entsprechen und eine Ausgangsleistung von mindestens 18 W haben.
2. Um das Tablet einzuschalten, drücken Sie die Ein/Aus-Taste mindestens eine Sekunde lang
3. Befolgen Sie die Anweisungen im Betriebssystem, um die Einstellungen vorzunehmen.

Fehlerbehebung

Wenn das Gerät nicht mehr reagiert und Sie einen harten Reset durchführen müssen, drücken Sie die Ein-/Aus-Taste und halten Sie diese für ca. 14 Sekunden gedrückt. Das Gerät schaltet sich nun ab.

Zum Anschluss von USB3.0-Geräten während des Anschlusses an ein WLAN-Netzwerk benötigt man einen 5-GHz-Anschluss. 2,4GHz-Netzwerke werden während der Verwendung von USB3.0-Geräten seitens des OONA getrennt.

Wichtige Produkt- und Sicherheitsinformationen

- Vermeiden Sie es, Ihr Tablet fallenzulassen, zu verbiegen oder zu verdrehen. Dadurch können das Glas des Displays, Platinen oder die Mechanik zerbrechen. Bei einem Glasbruch dürfen Sie die Glasteile des Geräts keinesfalls berühren oder versuchen, die zerbrochenen Glasteile vom Gerät zu entfernen. Das Gerät darf erst dann wiederverwendet werden, wenn es durch qualifiziertes Wartungspersonal ausgetauscht wurde.
- Versuchen Sie nicht, Ihr Tablet auseinanderzubauen. Hier kann es zu Beschädigungen des Geräts kommen.
- Betreiben Sie Ihr Gerät an einem Ort, wo die Temperatur zwischen -20°C und +50°C liegt. Der Betrieb zwischen -20°C und -10°C führt zu einer eingeschränkten Leistung.
- Laden Sie Ihr Gerät mit dem empfohlenen Ladegerät, im Temperaturbereich zwischen 0°C und +40°C. Wenn das Gerät nicht aufgeladen wird, kann es bei Temperaturen bis zu +50°C betrieben werden. Bitte beachten Sie, dass die Ladegeschwindigkeit bei höheren Temperaturen reduziert wird.
- Bewahren Sie Ihr Gerät an einem Ort auf, wo die Temperatur zwischen -20°C und +60°C liegt. Bitte beachten Sie, dass die Lagerung der Batterien eine spezielle Handhabung erfordert. Bitte lesen Sie dazu die Anmerkungen zur Batteriesicherheit.
- Dieses Produkt ist mit einem USB-C-Anschluss ausgestattet und für die Versorgung mit einem zertifizierten LPS/PS2-kompatiblen Netzteil gedacht, das gemäß USB-Spezifikation 5V-9V Versorgungsspannung hat.
- Zum Laden muss sich die Steckdose in der Nähe des Geräts befinden und leicht zugänglich sein.
- Schützen Sie Ihr Gerät vor dem Eindringen von Wasser und Feuchtigkeit. Bei Nichtverwendung des Geräts müssen die Anschlussabdeckungen geschlossen sein, um das Eindringen von Wasser und Feuchtigkeit zu vermeiden.
- Verwenden Sie ein Headset mit moderater Lautstärke und bringen Sie die Lautsprecherausgänge des Geräts nicht in die Nähe Ihres Ohres, wenn die Lautsprecher an sind.
- Verwenden Sie zum Reinigen des Geräts ein weiches, sauberes und trockenes fusselfreies Tuch.
- Bewahren Sie das Gerät außerhalb der Reichweite von kleinen Kindern auf.

- Schalten Sie Ihr Gerät aus, bevor Sie in ein Flugzeug steigen.
- Schalten Sie das Gerät in explosionsgefährdeten Bereichen aus.
- In geringem Abstand zum Körper erfüllt Ihr Gerät die Richtlinien für die Belastung mit Funkwellen (spezifische Absorptionsrate SAR).
- **Leistung des Geräts: 3.8V $\frac{1}{1}$ 3.5A**
- **Verwenden Sie nur LPS/PS2-kompatible Ladegeräte mit mindestens 18 W und USB-C-Standard.**
- Ziehen Sie nicht am Kabel, um das Ladegerät zu trennen.
- Verwenden Sie keine beschädigten Netzkabel oder Stecker.
- **Sparen Sie Energie.** Sie können Energie sparen, wenn Sie folgende Punkte befolgen.
 - Schließen Sie alle Anwendungen und Datenverbindungen, die Sie nicht benötigen.
 - Reduzieren Sie die Helligkeit des Displays und die Lautstärke.
 - Deaktivieren Sie unnötige Töne, wie beispielsweise den Ton des Touchpanels.
 - Trennen Sie Ihr Ladegerät vom Netz, wenn Sie das Ladegerät nicht benötigen.
 - Trennen Sie alle nicht benötigten Zusatzgeräte von Ihrem Gerät.
- **Recycling.** Bringen Sie aufgebrauchte elektronische Geräte zu entsprechenden Sammelstellen. Bitte beachten Sie, dass Ihr Tablet mit einer Batterie ausgestattet ist. Sie dürfen es daher nicht im normalen Haushaltsmüll entsorgen, da die Batterie als Sondermüll entsorgt werden muss.
- **Sicherheit der austauschbaren Batterien**
 - Batterien haben eine gewisse Lebensdauer. Wenn die Batterie das Gerät nur sehr viel kürzer mit Strom versorgt als üblich, ist die Lebensdauer der Batterie möglicherweise zu Ende. Ersetzen Sie die Batterie, wenn ein erheblicher Laufzeitverlust festgestellt wird.
 - Wenn Batterien über sechs (6) Monate gelagert werden, kann es zu irreversiblen Verschlechterungen der Gesamtbatteriequalität kommen.
 - Entfernen Sie die Batterien aus dem Gerät und lagern Sie die Batterien halb aufgeladen an einem trockenen, kühlen Ort, um Kapazitätsverlust, Rostbildung an Metallteilen und Elektrolytleckagen zu vermeiden. Lagern Sie das Gerät NICHT voll aufgeladen, insbesondere nicht in Umgebungen mit hohen Temperaturen.
 - Lagern Sie die Batterie nicht länger als 1 Monat in Umgebungen mit Temperaturen zwischen 35°C und 60°C ($\leq 90\%$ RH).
 - Halten Sie das Gerät von Wärmequellen fern (die Batterietemperatur darf 60°C nicht überschreiten).
 - Falls Sie während der Verwendung, Aufladung oder Aufbewahrung ungewöhnliche Wärmeentwicklung, Anordnung, Verfärbungen, Deformierungen oder anormale Bedingungen bemerken, dürfen Sie Ihr Tablet nicht mehr verwenden.
 - Werfen Sie die Batterie nicht in offenes Feuer. Es besteht Explosionsgefahr!
 - Tauchen Sie die Batterie nicht in Flüssigkeiten, wie beispielsweise Wasser, Tee, Kaffee usw.
 - Die Batterie darf weder gestoßen, verbogen, deformiert noch fallengelassen werden.
 - Stechen Sie nicht mit einem scharfen Gegenstand, wie beispielsweise einer Nadel usw., in die Batterie.
 - Halten Sie die Batterie von Kindern fern.
 - Achten Sie darauf, dass kein Elektrolyt aus der Batterie entweicht. Sollte dies doch der Fall sein und Elektrolyt mit den Augen in Kontakt kommen, reiben Sie keinesfalls Ihre Augen. Spülen Sie Ihre Augen sorgfältig mit klarem Wasser aus und suchen Sie umgehend einen Arzt auf. Sollte Elektrolyt mit Ihrer Haut in Kontakt kommen, müssen Sie Ihre Haut gründlich mit klarem Wasser waschen.
 - Erzeugen Sie extern keinen Kurzschluss an der Batterie. Im Falle eines externen Kurzschlusses kann die Batterie überhitzen, sich entzünden oder kaputt gehen.
 - Es besteht Explosionsgefahr, wenn Sie die Batterie durch eine nicht zulässige Batterie ersetzen. Verwenden Sie ausschließlich die für dieses Gerät zulässige Batterie.
 - Batterien müssen gemäß den vorstehenden Anweisungen entsorgt werden.

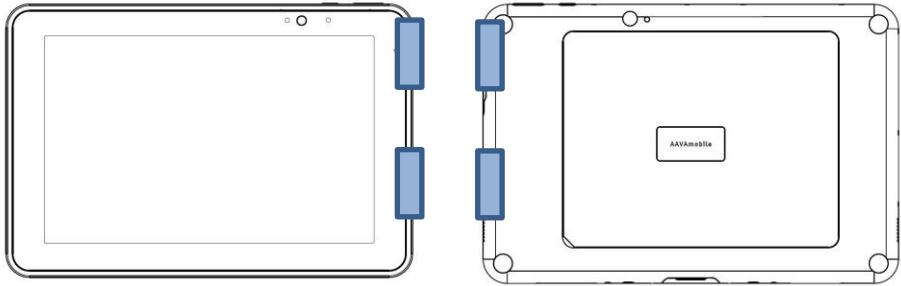
Warnhinweis

Um möglichen Hörschäden vorzubeugen, vermeiden Sie es, das Gerät über einen längeren Zeitraum bei hoher Lautstärke zu betreiben.



Antennenpositionen

In geringem Abstand zum Körper erfüllt Ihr Gerät die Richtlinien für die Belastung mit Funkwellen (spezifische Absorptionsrate SAR). Die Antennenbereiche sind in der nachfolgenden Abbildung hervorgehoben.



Funkwellenspezifikationen

Das Gerät verfügt über die folgenden Funkwellenspezifikationen:

Funkwellenspezifikationen		
Radio	Frequenz	Max. Ausgangsleistung
NFC	13.56MHz	$18 \pm 2\text{dBuA/m @10m}$
Bluetooth	2.4-24835GHz	$8 \pm 2\text{dBm(EIRP)}$
2.4G Wi-Fi	2.4-2.4835GHz	$18 \pm 2\text{dBm(EIRP)}$
5G Wi-Fi	5.15-5.35GHz	$21 \pm 2\text{dBm(EIRP)}$
	5.47-5.725GHz	$21 \pm 2\text{dBm(EIRP)}$
	5.725-5.85GHz	$12 \pm 2\text{dBm(EIRP)}$

Konformitätserklärungen

Je nach Modell gelten folgende Konformitäts-/Einhaltungserklärungen. Nähere Informationen finden Sie auf dem Typenschild Ihres Geräts.

EU Konformitätserklärung

Aava Mobile erklärt hiermit, dass das Funkgerät OONA 8 der Richtlinie 2011/65/EU sowie 1999/5/EC oder 2014/53/EU (2014/53/EU ersetzt 1999/5/EC vom 13. Juni 2017) entspricht. Den vollständigen Text der EU-Konformitätserklärung finden Sie unter: <http://www.oonasolution.com/doc>.

CE-Kennzeichnung und Europäischer Wirtschaftsraum

Die Verwendung von RLANS für die Verwendung im gesamten Europäischen Wirtschaftsraum unterliegt den folgenden Einschränkungen:

- Maximale ausgestrahlte Übertragungsleistung von 100 mW EIRP im Frequenzbereich 2,400 – 2,4835 GHz
- Einschränkung von 5,13 – 5,35 GHz nur für die Verwendung im Innenbereich

Die Verwendung von Bluetooth®-Drahtlostechnologie für die Verwendung im gesamten Europäischen Wirtschaftsraum unterliegt den folgenden Einschränkungen:

- Maximale ausgestrahlte Übertragungsleistung von 100mW EIRP im Frequenzbereich 2,400 – 2,4835 GHz

Länderzulassungen für Mobilgeräte

Am Gerät sind behördliche Kennzeichnungen, die der Zertifizierung unterliegen, angebracht. Sie zeigen an, dass das/die Funkgerät/e für die Verwendung in den folgenden Ländern zugelassen ist/sind: Vereinigte Staaten, Kanada und Europa¹. Nähere Informationen über die Kennzeichnung für andere Länder finden Sie in der Konformitätserklärung von Aava Mobile. Diese finden Sie unter <http://www.oonasolution.com/doc>.

¹ Europa umfasst: Österreich, Belgien, Bulgarien, Kroatien, Tschechien, Zypern, Dänemark, Estland, Finnland, Frankreich, Deutschland, Griechenland, Ungarn, Island, Irland, Italien, Lettland, Liechtenstein, Litauen, Luxemburg, Malta, die Niederlande, Norwegen, Polen, Portugal, Rumänien, Slowakei, Slowenien, Spanien, Schweden, die Schweiz und UK(NI).

Das Gerät unterstützt WLAN 5150-5350 MHz mit Einschränkungen für die Verwendung im Innenbereich.



Elektro- und Elektronik-Altgeräte (WEEE)

English: For EU Customers: All products at the end of their life must be returned to Aava Mobile for recycling. For information on how to return product, please go to: <https://www.pepperl-fuchs.com/global/en/42217.htm?>

Français: Clients de l'Union Européenne: Tous les produits en fin de cycle de vie doivent être retournés à Aava Mobile pour recyclage. Pour de plus amples informations sur le retour de produits, consultez:

<https://www.pepperl-fuchs.com/global/en/42217.htm?>

Español: Para clientes en la Unión Europea: todos los productos deberán entregarse a Aava Mobile al final de su ciclo de vida para que sean reciclados. Si desea más información sobre cómo devolver un producto, visite:

<https://www.pepperl-fuchs.com/global/en/42217.htm?>

Български: За клиенти от ЕС: След края на полезния им живот всички продукти трябва да се връщат на Aava Mobile за рециклиране. За информация относно връщането на продукти, моля отидете на адрес:

<https://www.pepperl-fuchs.com/global/en/42217.htm?>

Deutsch: Für Kunden innerhalb der EU: Alle Produkte müssen am Ende ihrer Lebensdauer zum Recycling an Aava Mobile zurückgesandt werden. Informationen zur Rücksendung von Produkten finden Sie unter

<https://www.pepperl-fuchs.com/global/en/42217.htm?>

Italiano: per i clienti dell'UE: tutti i prodotti che sono giunti al termine del rispettivo ciclo di vita devono essere restituiti a Aava Mobile al fine di consentirne il riciclaggio. Per informazioni sulle modalità di restituzione, visitare il seguente sito Web: <https://www.pepperl-fuchs.com/global/en/42217.htm?>

Português: Para clientes da UE: todos os produtos no fim de vida devem ser devolvidos à Aava Mobile para reciclagem.

Para obter informações sobre como devolver o produto, visite: <https://www.pepperl-fuchs.com/global/en/42217.htm?>

Nederlands: Voor klanten in de EU: alle producten dienen aan het einde van hun levensduur naar Aava Mobile te worden teruggezonden voor recycling. Raadpleeg <https://www.pepperl-fuchs.com/global/en/42217.htm?> voor meer informatie over het terugzenden van producten.

Polski: Klienci z obszaru Unii Europejskiej: Produkty wycofane z eksploatacji należy zwrócić do firmy Aava Mobile w celu ich utylizacji. Informacje na temat zwrotu produktów znajdują się na stronie internetowej

<https://www.pepperl-fuchs.com/global/en/42217.htm?>

Čeština: Pro zákazníky z EU: Všechny produkty je nutné po skončení jejich životnosti vrátit společnosti Aava Mobile k recyklaci. Informace o způsobu vrácení produktu najdete na webové stránce:

<https://www.pepperl-fuchs.com/global/en/42217.htm?>

Eesti: EL klientidele: kõik tooted tuleb nende eluea lõppedes tagastada taaskasutamise eesmärgil Aava Mobile'ile.

Lisainformatsiooni saamiseks toote tagastamise kohta külastage palun aadressi:

<https://www.pepperl-fuchs.com/global/en/42217.htm?>

Magyar: Az EU-ban vásárlóknak: Minden tönkrement terméket a Aava Mobile vállalatához kell eljuttatni újrahaznosítás céljából. A termék visszajuttatásának módjával kapcsolatos tudnivalókat látogasson el a

<https://www.pepperl-fuchs.com/global/en/42217.htm?> weboldalra.

Svenska: För kunder inom EU: Alla produkter som uppnått sin livslängd måste returneras till Aava Mobile för återvinning. Information om hur du returnerar produkten finns på <https://www.pepperl-fuchs.com/global/en/42217.htm?>

Suomi: Asiakaat Euroopan unionin alueella: Kaikki tuotteet on palautettava kierrätettäväksi Aava Mobile-yhtiöön, kun tuotetta ei enää käytetä. Lisätietoja tuotteen palauttamisesta on osoitteessa

<https://www.pepperl-fuchs.com/global/en/42217.htm?>

Dansk: Til kunder i EU: Alle produkter skal returneres til Aava Mobile til recirkulering, når de er udtjent. Læs oplysningerne om returnering af produkter på: <https://www.pepperl-fuchs.com/global/en/42217.htm?>

Ελληνικά: Για πελάτες στην Ε.Ε.: Όλα τα προϊόντα, στο τέλος της διάρκειας ζωής τους, πρέπει να επιστρέφονται στην Aava Mobile για ανακύκλωση. Για περισσότερες πληροφορίες σχετικά με την επιστροφή ενός προϊόντος, επισκεφθείτε τη διεύθυνση <https://www.pepperl-fuchs.com/global/en/42217.htm?> στο Διαδίκτυο.

Malti: Għal klijenti fl-UE: il-prodotti kollha li jkunu waslu fl-aħħar tal-ħajja ta' l-użu tagħhom, iridu jiġu rritornati għand Aava Mobile għar-riċiklaġġ. Għal aktar taġġirif dwar kif għandek tirritorna l-prodott, jekk jogħġbok żur:

<https://www.pepperl-fuchs.com/global/en/42217.htm?>

Românesc: Pentru clienții din UE: Toate produsele, la sfârșitul duratei lor de funcționare, trebuie returnate la Aava Mobile pentru reciclare. Pentru informații despre returnarea produsului, accesați:

<https://www.pepperl-fuchs.com/global/en/42217.htm?>

Slovenski: Za kupce v EU: vsi izdelki se morajo po poteku življenjske dobe vrniti podjetju Aava Mobile za reciklažo. Za informacije o vračilu izdelka obiščite: <https://www.pepperl-fuchs.com/global/en/42217.htm?>

Slovenčina: Pre zákazníkov z krajín EU: Všetky výrobky musia byť po uplynutí doby ich životnosti vrátené spoločnosti Aava Mobile na recykláciu. Bližšie informácie o vrátení výrobkov nájdete na:

<https://www.pepperl-fuchs.com/global/en/42217.htm?>

Lietuvių: ES vartotojams: visi gaminiai, pasibaigus jų eksploatacijos laikui, turi būti grąžinti utilizuoti į kompaniją

„Aava Mobile“. Daugiau informacijos, kaip grąžinti gaminį, rasite: <https://www.pepperl-fuchs.com/global/en/42217.htm?>

Latviešu: ES klientiem: visi produkti pēc to kalpošanas mūža beigām ir jānogādā atpakaļ Aava Mobile otrreizējai pārstrādei. Lai iegūtu informāciju par produktu nogādāšanu Aava Mobile, lūdzu, skatiet:

<https://www.pepperl-fuchs.com/global/en/42217.htm?>

Aava Mobile Oy
Nahkatehtaankatu 2
FI-90130 Oulu, Finland
Tel.: +358 8 373 800

Aava Mobile GmbH
Harksheider Str. 3
22399 Hamburg, Germany
Tel.: +49 40 6979 5939

www.oona-solution.com

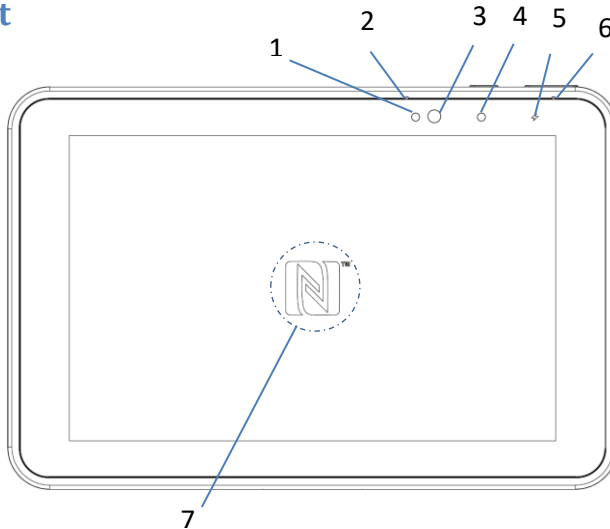
© 2023 Aava Mobile Oy, Alle Rechte vorbehalten



oona 8 Guide de démarrage rapide

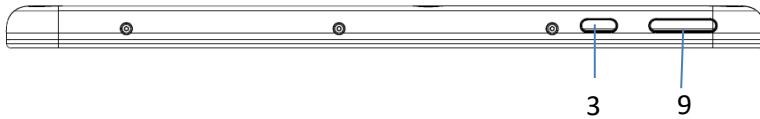
Caractéristiques, boutons et interfaces

Face avant



- | | |
|----------|---|
| 1 | Capteur de lumière ambiante
Détection de la lumière ambiante et adaptation de la luminosité de l'écran lorsqu'il est activé dans le système d'exploitation |
| 2 | Sortie du microphone avant |
| 3 | Caméra avant
Caméra 2MP pour vidéoconférences |
| 4 | Témoin LED de la caméra
S'allume si la caméra est activée et pendant que l'appareil démarre et s'éteint |
| 5 | Témoin LED de chargement
OFF non connecté au chargeur
ORANGE en cours de chargement
VERT connecté et entièrement chargé
ROUGE erreur de chargement |
| 6 | Sortie du deuxième microphone |
| 7 | Position de l'antenne NFC
Peut être utilisé pour lire les étiquettes NFC et RFID à l'écran |

Partie supérieure



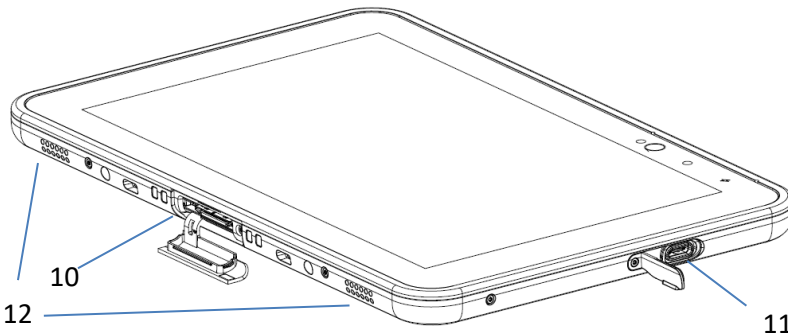
8 Bouton On / Off

Appuyer une fois pour démarrer la tablette ; appuyer une nouvelle fois pour activer le mode veille. Appuyer et maintenir enfoncé pour éteindre l'appareil.

9 Bouton volume

Appuyer sur le côté gauche pour baisser le volume et sur le côté droit pour l'augmenter.

Côté droit et partie inférieure

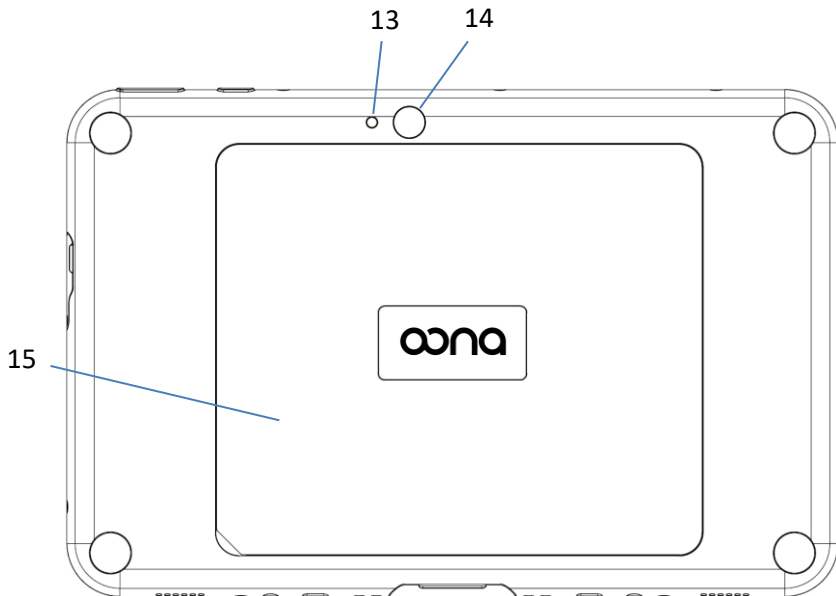


10 Connecteur de station d'accueil

11 USB-C pour le chargement, les données, l'audio et la vidéo

12 Haut-parleurs stéréo

Vue arrière



13 Flash LED de la caméra

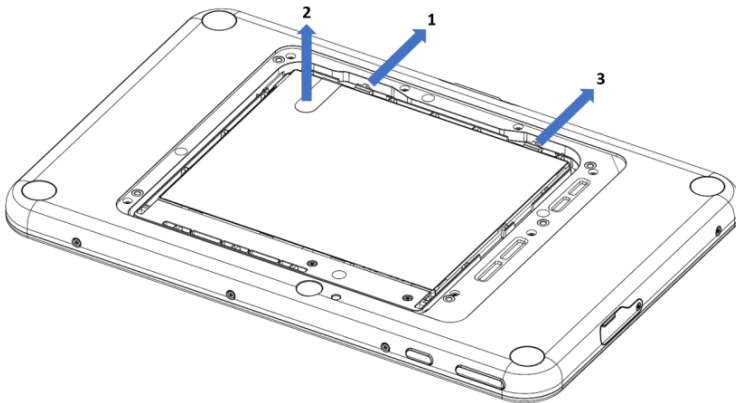
14 Caméra arrière

Caméra 8MP pour images et vidéo haute résolution

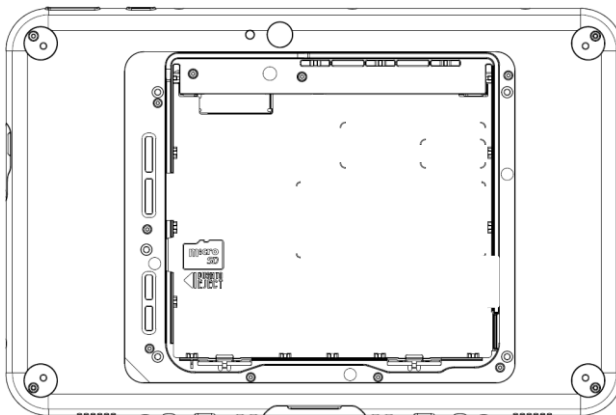
15 Couvercle du compartiment batterie (avec étiquette logo personnalisée)

Remplacement de la batterie / ajout d'une carte mémoire

Pour remplacer la batterie, ôter le couvercle du compartiment batterie en tirant dessus avec précaution. Tirer le crochet du porte-batteries (1) en direction de la partie inférieure de l'appareil. Tirer la batterie vers le haut (2) à l'aide de la languette et tirer sur l'autre crochet du porte-batteries (3).



La carte mémoire peut être insérées du côté gauche, s'assurer qu'elles sont insérées dans le bon sens comme indiqué sur l'image.



Lorsque l'on remet la batterie en place, s'assurer que les deux crochets sont encliquetés et bien sécurisés. S'assurer que le couvercle du compartiment batterie est bien en place.

Première utilisation de la tablette

1. Connecter l'alimentation électrique pour la première fois et s'assurer que la batterie est entièrement chargée avant de la débrancher. Nous recommandons une station de recharge ou d'accueil pour le chargement de la tablette. Si vous utilisez un chargeur mural USB-C, veuillez vous assurer qu'il est conforme à la norme LPS/PS2. Ce produit utilise les profils de puissance USB-C 5V/3A et 9V/2A. Le chargeur mural USB-C doit correspondre à la norme USB-C et avoir une puissance utile de 18W minimum.
2. Pour allumer la tablette, appuyer sur le bouton d'alimentation pendant au moins une seconde.
3. Suivre les instructions du système d'exploitation pour terminer le réglage.

Résolution des erreurs

Si l'appareil gèle et qu'un redémarrage à froid est nécessaire, appuyer sur le bouton d'alimentation et le maintenir enfoncé pendant environ 14 secondes. L'appareil sera ensuite éteint.

Si l'on connecte des périphériques USB3.0 pendant que l'on est connecté à un réseau WLAN, une connexion 5GHz est nécessaire au maintien de la connexion. Les réseaux 2.4GHz seront déconnectés par OONA pendant l'utilisation de périphériques USB3.0.

Informations importantes sur le produit et la sécurité

- Ne pas faire tomber, plier ou tordre votre tablette. Cela pourrait casser le verre de l'écran, les circuits imprimés ou la mécanique interne. Si le verre se casse, ne pas toucher les morceaux ni tenter d'ôter le verre brisé de l'appareil. Cesser d'utiliser l'appareil jusqu'à ce que le verre ait été remplacé par un personnel qualifié.
- Ne pas tenter de démonter la tablette. Cela pourrait l'endommager.
- Utiliser la tablette dans un endroit où la température se situe entre -20 °C et +50 °C. Une utilisation entre -20 °C et -10 °C entraîne un fonctionnement limité.
- Recharger l'appareil à l'aide du chargeur recommandé dans un endroit dont la température se situe entre 0 °C et +40 °C. Lorsqu'il n'est pas en charge, l'appareil peut fonctionner à des températures allant jusqu'à +50°C. Veuillez noter que la vitesse de chargement est réduite à des températures plus élevées.
- Ranger l'appareil dans un endroit où la température se situe entre -20 °C et +60 °C. Veuillez noter que le rangement de la batterie nécessite une manipulation spéciale, c'est pourquoi il convient de respecter les indications relatives à la sécurité de la batterie.
- Ce produit est équipé d'un connecteur USB-C destiné à être alimenté par une alimentation certifiée conforme à la norme LPS/PS2, capable de fournir 5V à 9V selon la spécification USB.
- Pour le chargement, la prise de courant doit être installée à proximité de l'équipement et facilement accessible.
- Protéger l'appareil de l'eau et de l'humidité. Les portes du connecteur doivent demeurer fermées lorsqu'il n'est pas utilisé pour prévenir toute pénétration d'eau et d'humidité.
- Écouter à l'aide d'un écouteur à un niveau sonore moyen et ne pas placer les haut-parleurs de l'appareil près de votre oreille lors de leur utilisation.
- Nettoyer l'appareil uniquement à l'aide d'un chiffon propre, sec et non pelucheux.
- Conserver l'appareil et les accessoires hors de la portée des enfants.
- Éteindre l'appareil avant de monter dans un avion.
- Éteindre l'appareil dans les zones dont l'atmosphère est potentiellement explosive.

- L'appareil est conforme aux directives en matière d'exposition aux fréquences radio (DAS, Débit d'absorption spécifique) lorsqu'il se trouve à proximité de votre corps.
- **Puissance nominale de l'appareil : 3,8 V — 3.5A**
- **Utiliser uniquement un chargeur mural conforme à la norme LPS/PS2 de 18W minium et répondant à la norme USB-C.**
- Ne pas débrancher le chargeur en tirant sur le cordon.
- Ne pas utiliser de cordons d'alimentation ni de prises endommagés.
- **Économies d'énergie.** Il est possible d'économiser de l'énergie en appliquant les règles suivantes.
 - Fermer les applications et les connexions de données non utilisées.
 - Diminuer la luminosité de l'écran et le volume sonore.
 - Désactiver les sons inutiles tels que le son de l'écran tactile.
 - Débrancher le chargeur du secteur lorsqu'il n'est pas utilisé.
 - Ne pas laisser d'accessoires inutiles connectés à l'appareil.
- **Recyclage.** Rapporter vos appareils électroniques usagés dans les points de collecte prévus à cet effet. Veuillez noter que cette tablette est équipée d'une batterie, elle ne doit donc pas être jetée avec les ordures ménagères et la batterie doit être recyclée séparément.
- **Sécurité de la batterie rechargeable**
 - Les batteries ont des cycles de vie. Si la période pendant laquelle la batterie alimente l'équipement diminue par rapport à ses performances habituelles, il se peut que la durée de vie de la batterie touche à sa fin. Remplacer la batterie lorsque l'on détecte une baisse significative de la durée de fonctionnement.
 - Lorsque les batteries sont stockées pendant plus de six (6) mois, une détérioration de la qualité générale de la batterie peut se produire.
 - Stocker les batteries à la moitié de la charge dans un endroit sec et frais après les avoir retirées de l'équipement afin de prévenir toute perte de capacité, la rouille des parties métalliques et les fuites d'électrolyte. Ne PAS stocker à pleine charge, en particulier dans des conditions de température élevée.
 - Ne pas stocker la batterie pendant plus d'un (1) mois dans des conditions de température entre 35 °C et 60 °C (≤90%RH).
 - Conserver l'appareil à l'abri de la chaleur (la température de la batterie ne doit pas excéder 60 °C).
 - Cesser d'utiliser la tablette en cas de détection de chaleur ou de fonctionnement anormal, de décoloration, de déformation ou de conditions anormales pendant l'utilisation, le chargement ou le stockage.
 - Ne pas jeter la batterie dans le feu car elle pourrait exploser.
 - Ne pas immerger la batterie dans un liquide comme de l'eau, du thé, du café etc.
 - Ne pas heurter, tordre, déformer ou faire tomber la batterie.
 - Ne pas percer la batterie avec un objet pointu comme une aiguille etc.
 - Conserver la batterie hors de la portée des enfants.
 - La batterie ne doit pas contenir de liquide provenant de l'électrolyte, mais si l'électrolyte a été en contact avec les yeux, ne pas se frotter les yeux. Rincer les yeux avec de l'eau claire et consulter immédiatement un médecin. En cas de contact d'électrolyte avec la peau, bien nettoyer à l'eau claire.
 - Ne pas court-circuiter la batterie de l'extérieur. En cas de court-circuit externe, la batterie pourrait chauffer, s'enflammer ou se casser.
 - Il existe un risque d'explosion en cas de remplacement de la batterie par un modèle incorrect. Utiliser uniquement le type de batterie correct pour cet appareil.
 - La mise au rebut de la batterie doit être effectuée conformément aux instructions mentionnées plus haut.

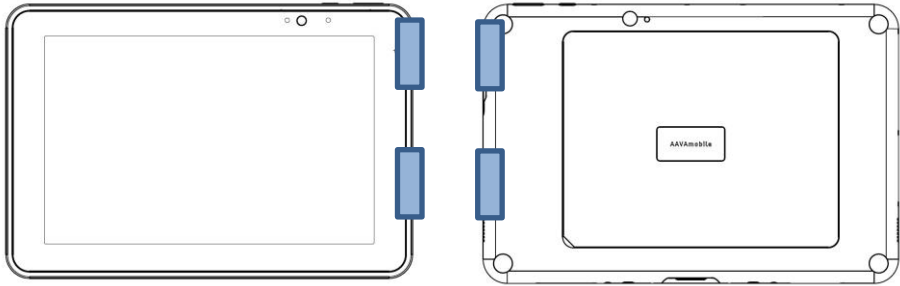
Avertissements

Pour prévenir les lésions auditives, ne pas écouter à un niveau sonore élevé pendant de longues périodes.



Positions de l'antenne

L'appareil est conforme aux directives en matière d'exposition aux fréquences radio (DAS, Débit d'absorption spécifique) lorsqu'il se trouve à proximité de votre corps. Les zones de l'antenne sont mises en évidence dans les images ci-dessous.



Spécifications des ondes radio

L'appareil a les spécifications d'ondes radio suivantes:

Spécifications des ondes radio		
Radio	La fréquence	Max. Puissance de sortie
NFC	13.56MHz	18 ± 2 dBuA/m @10m
Bluetooth	2.4-24835GHz	8 ± 2 dBm(EIRP)
2.4G Wi-Fi	2.4-2.4835GHz	18 ± 2 dBm(EIRP)
5G Wi-Fi	5.15-5.35GHz	21 ± 2 dBm(EIRP)
	5.47-5.725GHz	21 ± 2 dBm(EIRP)
	5.725-5.85GHz	12 ± 2 dBm(EIRP)

Déclarations de conformité

Selon le modèle concerné, les déclarations de conformité / compatibilité sont valides. Veuillez vérifier la plaque signalétique de votre appareil pour plus d'informations.

Déclaration de conformité CE

Par les présentes, Aava Mobile déclare que l'équipement radio OONA 8 est conforme à la Directive 2011/65/CE et 1999/5/CE ou 2014/53/CE (2014/53/CE remplace 1999/5/CE à compter du 13 juin 2017). Le texte complet de la Déclaration de Conformité CE est disponible sur <http://www.oonasolution.com/doc>

CE Marquage et Espace économique européen (EEE)

L'usage de RLAN au sein de tout l'EEE est soumis aux restrictions suivantes :

- puissance effective rayonnée (EIRP) maximale de 100mW dans la gamme de fréquence 2 400 - 2 4835 GHz
- 5.13 - 5.35 GHz est limitée à l'usage intérieur

L'utilisation de Bluetooth® Wireless Technology dans l'EEE est soumise aux restrictions suivantes :

- puissance effective rayonnée (EIRP) maximale de 100mW dans la gamme de fréquence 2 400 - 2 4835 GHz

Homologations nationales pour les appareils sans fil

Des marquages réglementaires, soumis à certification, sont appliqués sur l'appareil, ce qui signifie que la/les radio(s) est (sont) homologuée(s) pour une utilisation dans les pays suivants : États-Unis, Canada et Europe¹. Veuillez vous référer à la Déclaration de Conformité Aava Mobile pour plus de détails sur les marquages des autres pays. Ces informations sont disponibles sur <http://www.oonasolution.com/doc>.

¹ L'Europe comprend : L'Autriche, la Belgique, la Bulgarie, la Croatie, la République tchèque, Chypre, le Danemark, l'Estonie, la Finlande, la France, l'Allemagne, la Grèce, la Hongrie, l'Islande, l'Irlande, l'Italie, la Lettonie, le Liechtenstein, la Lituanie, le Luxembourg, Malte, les Pays-Bas, la Norvège, la Pologne, le Portugal, la Roumanie, la République slovaque, la Slovénie, l'Espagne, la Suède, la Suisse et UK(NI)
Cet appareil est compatible avec WLAN 5150-5350 MHz avec des restrictions d'utilisation à l'intérieur.



Déchets d'équipements électriques et électroniques (DEEE)

English: For EU Customers: All products at the end of their life must be returned to Aava Mobile for recycling. For information on how to return product, please go to: <https://www.pepperl-fuchs.com/global/en/42217.htm?>

Français: Clients de l'Union Européenne: Tous les produits en fin de cycle de vie doivent être retournés à Aava Mobile pour recyclage. Pour de plus amples informations sur le retour de produits, consultez: <https://www.pepperl-fuchs.com/global/en/42217.htm?>

Español: Para clientes en la Unión Europea: todos los productos deberán entregarse a Aava Mobile al final de su ciclo de vida para que sean reciclados. Si desea más información sobre cómo devolver un producto, visite: <https://www.pepperl-fuchs.com/global/en/42217.htm?>

<https://www.pepperl-fuchs.com/global/en/42217.htm?>

Български: За клиенти от ЕС: След края на полезния им живот всички продукти трябва да се връщат на Aava Mobile за рециклиране. За информация относно връщането на продукти, моля отидете на адрес: <https://www.pepperl-fuchs.com/global/en/42217.htm?>

<https://www.pepperl-fuchs.com/global/en/42217.htm?>

Deutsch: Für Kunden innerhalb der EU: Alle Produkte müssen am Ende ihrer Lebensdauer zum Recycling an Aava Mobile zurückgesandt werden. Informationen zur Rücksendung von Produkten finden Sie unter <https://www.pepperl-fuchs.com/global/en/42217.htm?>

<https://www.pepperl-fuchs.com/global/en/42217.htm?>

Italiano: per i clienti dell'UE: tutti i prodotti che sono giunti al termine del rispettivo ciclo di vita devono essere restituiti a Aava Mobile al fine di consentirne il riciclaggio. Per informazioni sulle modalità di restituzione, visitare il seguente sito Web: <https://www.pepperl-fuchs.com/global/en/42217.htm?>

<https://www.pepperl-fuchs.com/global/en/42217.htm?>

Português: Para clientes da UE: todos os produtos no fim de vida devem ser devolvidos à Aava Mobile para reciclagem.

Para obter informações sobre como devolver o produto, visite: <https://www.pepperl-fuchs.com/global/en/42217.htm?>

Nederlands: Voor klanten in de EU: alle producten dienen aan het einde van hun levensduur naar Aava Mobile te worden teruggezonden voor recycling. Raadpleeg <https://www.pepperl-fuchs.com/global/en/42217.htm?> voor meer informatie over het terugzenden

van producten.

Polski: Klienci z obszaru Unii Europejskiej: Produkty wycofane z eksploatacji należy zwrócić do firmy Aava Mobile w celu ich utylizacji. Informacje na temat zwrotu produktów znajdują się na stronie internetowej <https://www.pepperl-fuchs.com/global/en/42217.htm?>

<https://www.pepperl-fuchs.com/global/en/42217.htm?>

Čeština: Pro zákazníky z EU: Všechny produkty je nutné po skončení jejich životnosti vrátit společnosti Aava Mobile k recyklaci. Informace o způsobu vrácení produktu najdete na webové stránce: <https://www.pepperl-fuchs.com/global/en/42217.htm?>

<https://www.pepperl-fuchs.com/global/en/42217.htm?>

Eesti: EL klientidele: kõik tooted tuleb nende eluea lõppedes tagastada taaskasutamise eesmärgil Aava Mobile'ile.

Lisainformatsiooni saamiseks toote tagastamise kohta külastage palun aadressi: <https://www.pepperl-fuchs.com/global/en/42217.htm?>

<https://www.pepperl-fuchs.com/global/en/42217.htm?>

Magyar: Az EU-ban vásárlóknak: Minden tönkrement termékét a Aava Mobile vállalathoz kell eljuttatni újrahaznosítás céljából. A termék visszajuttatásának módjával kapcsolatos tudnivalókrét látogasson el a <https://www.pepperl-fuchs.com/global/en/42217.htm?> weboldalra.

<https://www.pepperl-fuchs.com/global/en/42217.htm?>

Svenska: För kunder inom EU: Alla produkter som uppnått sin livslängd måste returneras till Aava Mobile för återvinning. Information om hur du returnerar produkten finns på <https://www.pepperl-fuchs.com/global/en/42217.htm?>

<https://www.pepperl-fuchs.com/global/en/42217.htm?>

Suomi: Asiakkaat Euroopan unionin alueella: Kaikki tuotteet on palautettava kierrätettäväksi Aava Mobile-yhtiöön, kun

tuotetta ei enää käytetä. Lisätietoja tuotteen palauttamisesta on osoitteessa

<https://www.pepperl-fuchs.com/global/en/42217.htm?>

Dansk: Til kunder i EU: Alle produkter skal returneres til Aava Mobile til recirkulering, når de er udtjent. Læs oplysningerne om returnering af produkter på: <https://www.pepperl-fuchs.com/global/en/42217.htm?>

Ελληνικά: Για πελάτες στην Ε.Ε.: Όλα τα προϊόντα, στο τέλος της διάρκειας ζωής τους, πρέπει να επιστρέφονται στην Aava Mobile για ανακύκλωση. Για περισσότερες πληροφορίες σχετικά με την επιστροφή ενός προϊόντος, επισκεφθείτε τη διεύθυνση <https://www.pepperl-fuchs.com/global/en/42217.htm?> στο Διαδίκτυο.

Malti: Għal klijenti fl-EU: il-prodotti kollha li jkunu waslu fl-aħħar tal-hajja ta' l-użu tagħhom, iridu jiġu rritornati għand Aava Mobile għar-riċiklaġġ. Għal aktar tagħrif dwar kif għandek tirritorna l-prodott, jekk jogħġbok żur: <https://www.pepperl-fuchs.com/global/en/42217.htm?>

<https://www.pepperl-fuchs.com/global/en/42217.htm?>

Românesc: Pentru clienții din UE: Toate produsele, la sfârșitul duratei lor de funcționare, trebuie returnate la Aava Mobile pentru reciclare. Pentru informații despre returnarea produsului, accesați: <https://www.pepperl-fuchs.com/global/en/42217.htm?>

<https://www.pepperl-fuchs.com/global/en/42217.htm?>

Slovenski: Za kupce v EU: vsi izdelki se morajo po poteku življenjske dobe vrniti podjetju Aava Mobile za reciklažo. Za informacije o vračilu izdelka obiščite: <https://www.pepperl-fuchs.com/global/en/42217.htm?>

Slovenčina: Pre zákazníkov z krajín EU: Všetky výrobky musia byť po uplynutí doby ich životnosti vrátené spoločnosti Aava Mobile na recykláciu. Bližšie informácie o vrátení výrobkov nájdete na: <https://www.pepperl-fuchs.com/global/en/42217.htm?>

<https://www.pepperl-fuchs.com/global/en/42217.htm?>

Lietuvių: ES vartotojams: visi gaminiai, pasibaigus jų eksploatacijos laikui, turi būti grąžinti utilizuoti į kompaniją „Aava Mobile“. Daugiau informacijos, kaip grąžinti gaminių, rasite: <https://www.pepperl-fuchs.com/global/en/42217.htm?>

Latviešu: ES klientiem: visi produkti pēc to kalpošanas mūža beigām ir jānogādā atpakaļ Aava Mobile otrreizējai pārstrādei. Lai iegūtu informāciju par produktu nogādāšanu Aava Mobile, lūdzu, skatiet: <https://www.pepperl-fuchs.com/global/en/42217.htm?>

<https://www.pepperl-fuchs.com/global/en/42217.htm?>

Aava Mobile Oy

Nahkatehtaankatu 2

FI-90130 Oulu, Finland

Tel.: +358 8 373 800

Aava Mobile GmbH

Harksheider Str. 3

22399 Hamburg, Germany

Tel.: +49 40 6979 5939

www.oona-solution.com

© 2023 Aava Mobile Oy, Tous droits réservés



IN02040085.2